

# INSTRUCTIONS

## WallWalker® Setup and Use Instructions

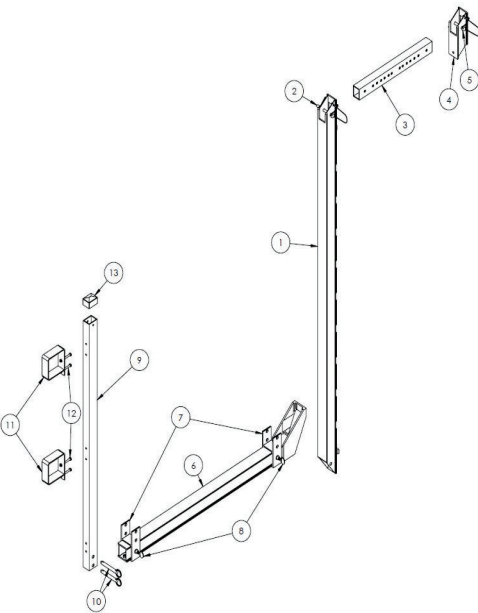
*Exceeds Applicable OSHA, ANSI, and CSA Standards*

### INITIAL ASSEMBLY AND INSPECTION

1. Initially inspect the WallWalker® Bracket for any defects or shipping damage as well as before each use. You may use our Scaffold Inspection Form found under Training & Tools at [www.wallwalker.com](http://www.wallwalker.com).
2. Ensure that you received all parts shown in the parts diagram excluding accessories (sold separately).
3. Locate the slider tube. Attach slider tube through the rectangular hole at the top of the vertical beam and secure into place with the attached tab-lock pin. This standard slider tube is adjustable for up to a 12" thick wall. Longer slider tubes are available at [www.wallwalker.com](http://www.wallwalker.com) for thicker walls.
4. Attach the slider bracket to the slider tube using the attached tab-lock pin at the desired wall thickness setting.

### SETUP AND ERECTION

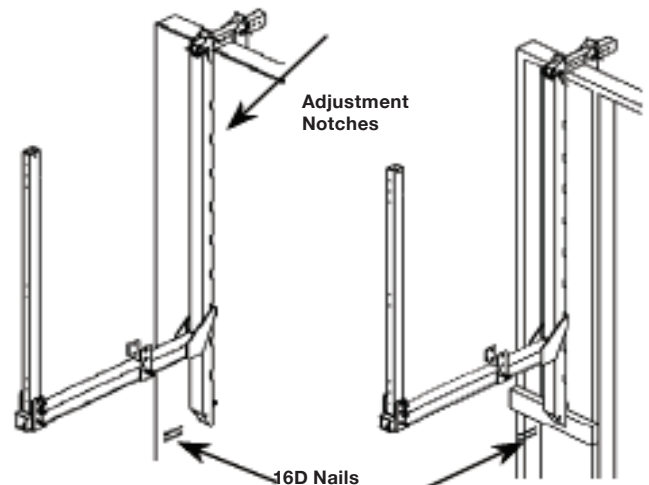
1. Each WallWalker® Bracket is rated for 250 lbs. A pair of WallWalkers® is rated for 500 lbs. if weight is evenly distributed. Do not overload the WallWalker® Brackets. Ensure that the wall or structure that will be supporting the WallWalker® Brackets is properly braced or rated for all intended loads.
2. From a ladder, window opening, or other safe means place the WallWalker® Bracket so that the base of the slider tube is resting on the top of the wall or opening in a structure (such as a window). The vertical beam will rest against a wall or stud. A Stabilizer Bar accessory is available if it is infeasible to rest the vertical beam against a wall.
3. It is not required, but you may secure the WallWalker® to the wall or stud through one or both of the holes at the base of the vertical beam. This may be done with 16D nails or compatible fasteners. This will help prevent undesired movement of the WallWalker® Brackets while setting the work platforms.
4. Place work platforms that meet OSHA, ANSI, or CSA standards onto the horizontal beams of at least two (2) WallWalker® Brackets. Position the work platforms between the two (2) plank brackets on each horizontal arm. Insert the thumb screws into the threaded inserts on the sides of the plank brackets. The thumb screws prevent the plank brackets from moving and help secure the work platform to the horizontal arms. See instruction on next page for guardrail post installation.



5. Adjust the horizontal beam to the desired height by tilting the beam upward and sliding it into the appropriate adjustment notch on the back of the vertical beam. Ensure that the stop plate on the horizontal arm is seated properly into one of the several adjustment notches.

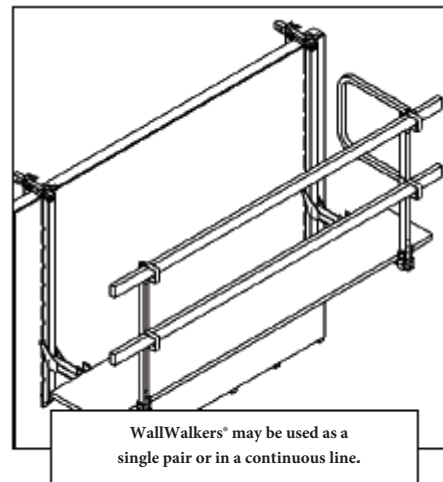
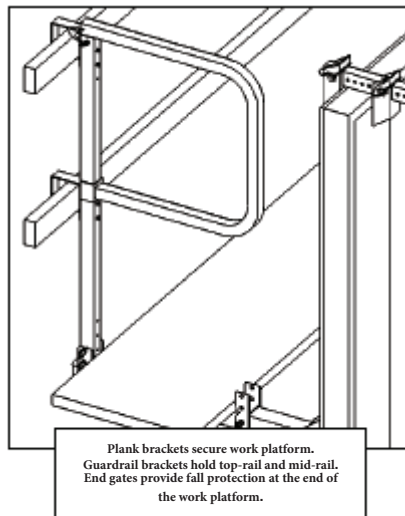
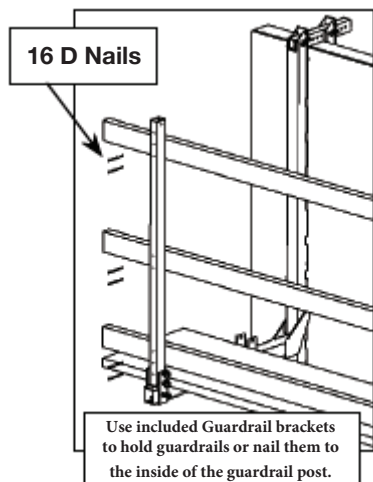
#### Parts Diagram

- |                             |                                  |
|-----------------------------|----------------------------------|
| 1. Vertical Beam (8' or 6") | 9. Guardrail Post                |
| 2. 3" Tab Lock Pin          | 10. 1/2" Detent Ring Pins        |
| 3. Standard Slider Tube     | 11. Guardrail Brackets           |
| 4. Standard Slider Bracket  | 12. 2.5" Hex Bolts & Nylock Nuts |
| 5. 2.5" Tab Lock Pin        | 13. Plastic Yellow Safety Cap    |
| 6. Horizontal Arm           |                                  |
| 7. Plank Brackets           |                                  |
| 8. Thumb Screws             |                                  |
- Other Accessories Available at [www.wallwalker.com](http://www.wallwalker.com)



Read all instructions and warning labels attached to the WallWalkers®

**Wall Walker**  
Hanging Scaffold



## GUARDRAIL INSTALLATION

1. Remove the guardrail posts from the storage position inside the base of the vertical beam. Secure included guardrail brackets to the guardrail post using the provided hardware. Use the included detent pins to secure the guardrail post to the outer plank bracket on the horizontal arm.

2. Use quality 2x4 lumber for top-rails, mid-rails, and toe boards. If toe boards are required they may rest on the work platform and be fastened to the base of the guardrail post using 16D nails. End Gates may also be purchased as an accessory to provide fall protection at the end of each work platform. Visit [www.wallwalker.com](http://www.wallwalker.com) and look for End Gate under Accessories.

NOTE: All fall protection and fall restraint systems used in conjunction with the WallWalker® Brackets must meet all local and country safety codes.

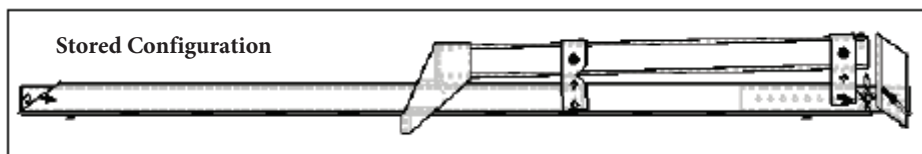
## DISMANTLE AND STORAGE INSTRUCTIONS

1. From a wall opening or while using a ladder, man-lift, fall protection system, or equivalent safe method safely dismantle the WallWalker® Scaffold System by first removing the guardrails, end gates, and guardrail posts. Safely lower them to the ground using ropes or other means.

2. Un-secure the work platforms and safely lower them to the ground using ropes or other means.

3. Use a rope or other means to safely lower the WallWalker® Bracket to the ground. Do not drop WallWalker® brackets. If a bracket is dropped, it must either be destroyed or have welds inspected and recertified by a weld inspection company.

4. The WallWalker® brackets may be safely stored and locked in the folded position by securing the outer plank bracket to the top of the vertical beam using the 3" Tab Lock Pin. The slider tube and slider bracket may be stored in the top of the vertical beam with the same pin as show below.



*Thank you for using WallWalker®*

*WallWalker® is the only lightweight aluminum hanging scaffold with a money-back guarantee. Save time. Build smarter. The WallWalker® provides a safe platform for hard-to-reach places. It eliminates unsafe and makeshift scaffolding or heavy steel alternatives!*

**Wall Walker**  
Hanging Scaffold

Telephone: 801-835-1081  
Location: Lehi, Utah 84043  
[www.wallwalker.com](http://www.wallwalker.com)